

# Thrust Ball Bearings

Bearing No. : **NACHI 53207**

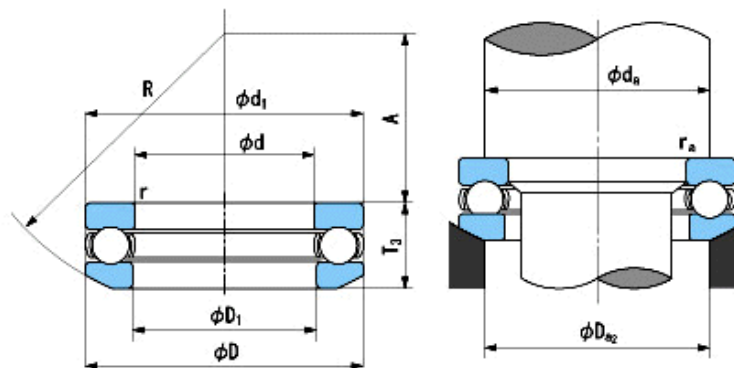
■ Bearing Type

■ Clearance

■ Tolerance Class

### Dimensions

d = 35                    0  
                              -0.012  
  
D = 62                    0  
                              -0.019  
  
T3 = 19.9  
r = 1~2.2  
(Radial Direction and Axial Direction)  
D1(min) = 37  
d1(max) = 62  
R = 50  
A = 24



Dimensions  
da(min) = 51  
Da2(max) = 46  
ra(max) = 1  
Mass = 0.22 kg

Basic Dynamic Load Rating Ca : **39,000** N

Basic Static Load Rating Coa : **78,000** N

Limiting Speed ;

Grease Lubrication : **2,900** min<sup>-1</sup>

Oil Lubrication : **4,400** min<sup>-1</sup>

O.D.Surface Runout with Side :

Axial Runout with Bore :

Axial Runout with Raceway :

Width Variation :

Radial Runout :

INNER RING

OUTER RING